

CX FORK

CARBON FIBER FORK FOR CYCLOCROSS BIKES



TRP

I. INTRODUCTION

PLEASE READ THIS OWNER'S MANUAL COMPLETELY BEFORE ATTEMPTING TO INSTALL, SERVICE OR USE YOUR CARBON CX FORK. FAILURE TO UNDERSTAND HOW TO PROPERLY INSTALL, USE AND MAINTAIN YOUR CARBON CX FORK MAY LEAD TO INJURY AND DEATH. TRP RECOMMENDS HAVING YOUR CARBON CX FORK INSTALLED BY A PROPERLY TRAINED BICYCLE MECHANIC.

a. Welcome to TRP

TRP manufactures performance oriented components for discerning individuals. Our brakes, levers, calipers, components and accessories are designed to offer premium performance across a variety of applications. Each product is conscientiously designed and thoroughly tested to ensure the best performance and quality possible.

b. Carbon CX Fork

Thank you for your purchase of our TRP Carbon CX Fork. The CX Fork is designed to offer superior performance and unsurpassed durability for cross and gravel racing. This carbon fork has been designed and tested to comply with EN 14786 standards as well as TRP's own internal performance requirements. The Carbon CX Fork fits 160mm rotors, 15mm DT Swiss thru-axles and 45mm carbon specific compression plug (23.2mm dia.) The Carbon CX Fork has been designed and built for road, gravel and cyclocross riding. It is not intended to be used on rough trails, jumping, stunt riding or any other aggressive style of riding.

II. EQUIPMENT ITEM LIST

a. Carbon CX Fork - each fork comes with the following

- TRP Carbon CX Fork with uncut 350mm steerer tube
- 45mm carbon specific compression plug (23.2mm diameter)
- 15mm DT Swiss thru-axle

III. SAFETY WARNINGS

WARNING - This fork was designed for use on a single rider cyclocross or gravel bicycle. The intended use is for cyclocross and gravel racing, road riding and light trail use. This fork is not designed to be installed on a mountain bike, used for heavy trail riding or jumping. Use of this system on any other vehicle or apparatus or for any other purpose than intended will void the warranty and possibly cause you great personal harm, injury or death.

WARNING - TRP recommends having your fork installed by a qualified or experienced bicycle mechanic. Improper installation may lead to failure causing personal harm, injury or death.

WARNING - You should inspect your fork before each ride for any signs of stress, cracks, delamination or any other signs of damage or fault. If any of these signs are found, do not ride the fork and have it inspected by a qualified mechanic before further use.

WARNING - A crash or impact may cause damage to the fork that may or may not be visible. After a crash or impact, have the fork inspected by a properly trained bicycle mechanic before riding. TRP recommends replacing the fork after any significant crash

WARNING - Do not use a star-fangled nut. This may cause damage to the carbon fiber causing a failure resulting in personal harm, injury or death. The use of a 45mm carbon-specific compression plug with 23.2mm OD is required. Carbon plugs shorter than 45mm are not recommended as they do not protect the steerer from the stem clamp compression force.

WARNING - Do not over-tighten stem bolts. This may cause damage to the steerer tube leading to failure and resulting in personal harm, injury or death. Always use a torque wrench and follow the stem manufacturer's recommendations for torque spec.

CAUTION - Read this manual completely before attempting to install or work on your TRP Carbon CX Fork. If you are unfamiliar with any element of assembly or maintenance of this fork, please consult a qualified mechanic for assistance.

CAUTION - Inspect all elements including fork, headset, spacers, compression plug, stem and top cap for any defects or burs. Fix or replace any defected items before installing fork.

IV. TOOLS NEEDED FOR INSTALLATION

The following tools will help you complete the installation

- 5mm and 6mm Allen wrench
- Torque wrench
- Steerer tube cutting guide
- Hacksaw with carbon cutting blade (36 TPI blade may also be used)
- Pen, pencil or other marking device
- Bench vice
- Carbon assembly compound
- Fine grit sandpaper (220 grit or similar)
- Allen or Torx bits required for stem assembly (See stem manufacturer's recommendation)

V. TORQUE CHART

ITEM	TORQUE
Compression Plug	7 Nm (62 in-lbs)
Top Cap	1.5 Nm (15 in-lbs)
Stem Bolts	Refer to Stem Manufacturer (Do not exceed 6 Nm)

VI. PREPARING THE FORK FOR INSTALLATION

a. Measure Steerer Tube Length

Install headset bearings.

Test fit fork with all headset components, steerer tube spacers and stem. **Do not use more than 40mm of headset spacers. (Fig. 1)**

Using a pen, pencil or other marking device, make a mark on the steerer tube at the top of the stem. **(Fig. 1)**

Disassemble stem, spacers, headset components and fork.

Using a pen, pencil or other marking device, make a second mark on the steerer tube 3mm below the first mark. This will be your Cutting Line mark. **(Fig. 2)**

Fig. 1

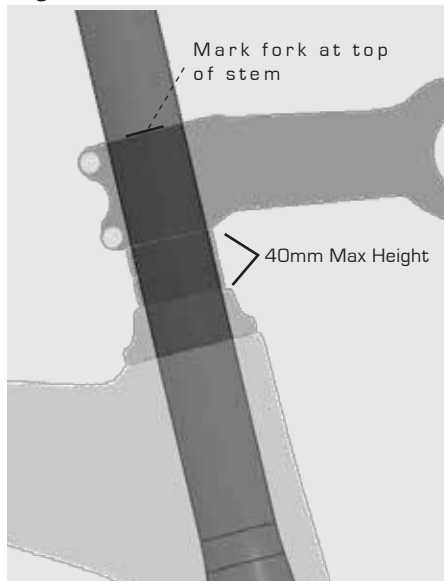
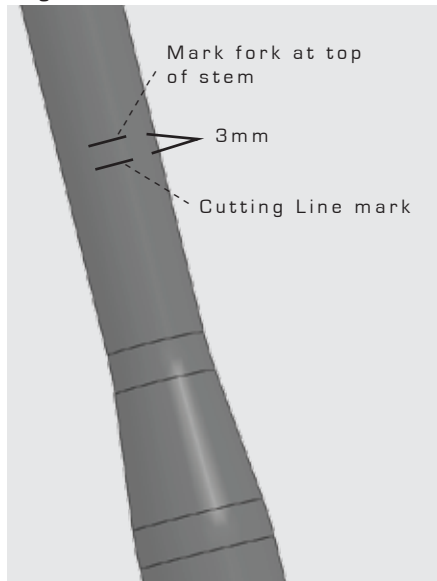


Fig. 2



b. Cut the Steerer Tube

Insert fork into Steerer Tube Cutting Guide and align Cutting Line mark. Tightly secure fork in Steerer Tube Cutting Guide.

Secure fork and Steerer Tube Cutting Guide in Vise.

Use a Hacksaw with Carbon Cutting Blade to carefully trim steerer tube. Cut slowly and accurately. **(Fig. 3)**

Remove fork from Steerer Tube Cutting Guide.

Use Fine Grit Sandpaper to smooth out rough edges and remove any burs or fibers along cut edge. **(Fig. 4)**

WARNING - Avoid breathing carbon dust. Always wear breathing mask and safety goggles when cutting carbon components.

WARNING - Improper cutting of fork could cause failure resulting in personal harm, injury or death. If you have any concerns about any process involved with installing this fork, please consult a qualified bicycle mechanic.

Fig. 3

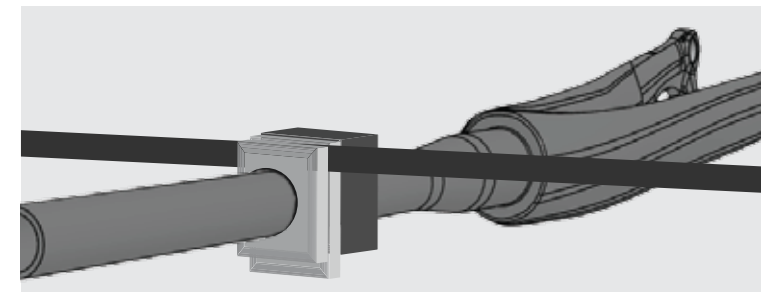
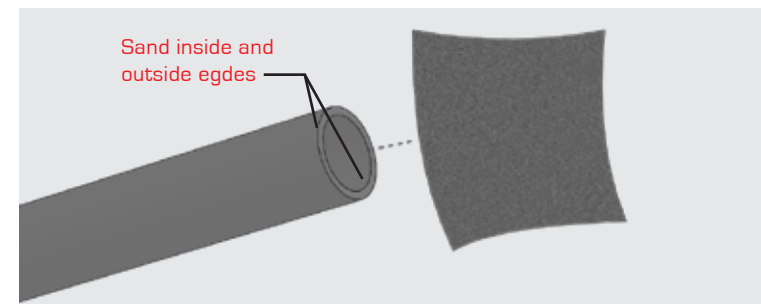


Fig. 4



VII. INSTALLING THE FORK

a. Assemble fork and components

Install headset bearings.

Install fork with all headset components, steerer tube spacers and stem. Do not tighten stem bolts at this point.

Insert the TRP 45mm carbon specific compression plug and tighten using 6mm Allen Wrench to 7 Nm. [Note: if you choose not to use the supplied compression plug, there are two diameters of compression plugs. Please choose a 23.2mm diameter compression plug.] **(Fig. 5)**

Install top cap and tighten top cap screw using 5mm Allen Wrench to 1.5 Nm. **(Fig. 6)**

Align stem and tighten to stem manufacturer's torque spec (Do not exceed 6 Nm).

After tightening stem, increase torque on top cap screw to 6Nm.

Fig. 5

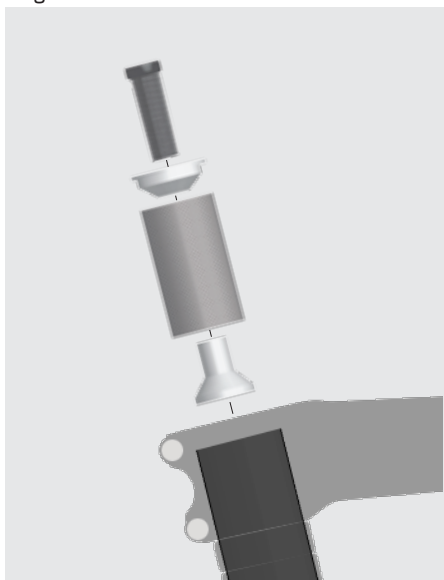
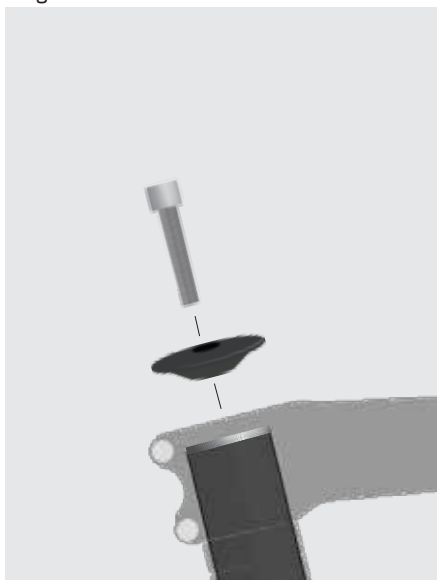


Fig. 6



VII. WARRANTY AND CONTACT

TRP will warranty any CX Carbon Fork for defects in materials and/or workmanship for two years from the date of original purchase.

Not covered under this warranty is damage resulting from improper use, installation, improper or lack of maintenance, alterations, crashes or use judged by TRP to be excessive or outside the scope of its intended use.

For warranty related questions or more information on the Carbon CX Fork or any other TRP product, please visit our website at www.trpbrakes.com or contact your nearest TRP service center.

TRP BRAKES

688 W. Amidan Dr.
Bldg. 4X-1
Ogden, UT 84404
Toll Free: 1-877-807-4162
Direct: 1-650-965-4442
Email: info@trpbrakes.com
Web: www.trpbrakes.com

TRP CX FORK OWNER'S MANUAL